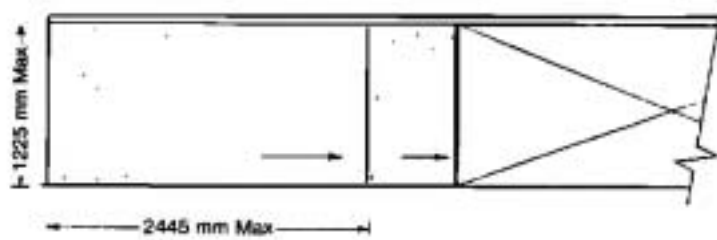
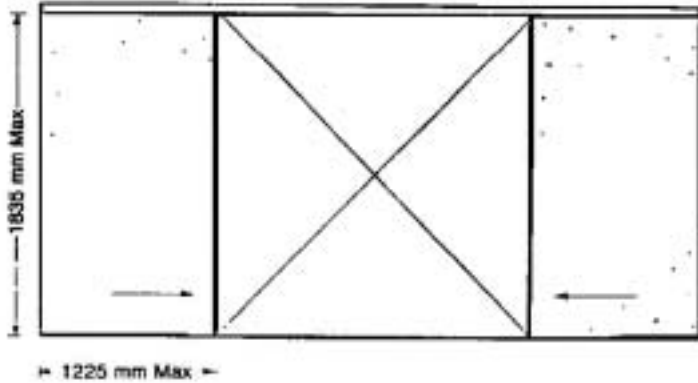


A Division of Richelieu Hardware Canada
2600 Viking Way, Richmond, B.C., V6V 1N2

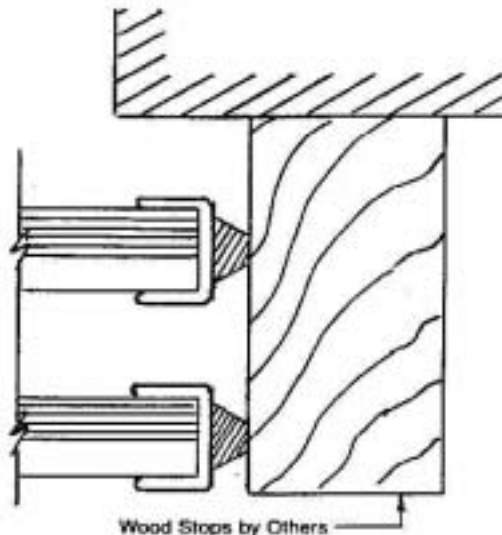
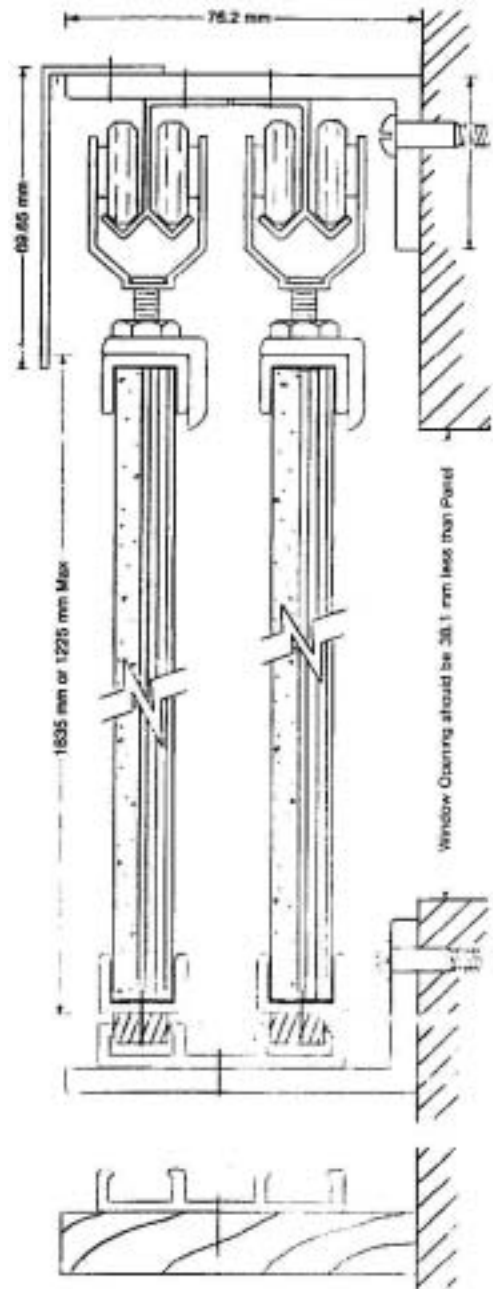
DOUBLE HORIZONTAL SLIDING UNIT
No. U20 D



- A VERSATILE DESIGN WHICH CAN BE ADAPTED TO SUIT MOST SITUATIONS REQUIRING A HORIZONTAL SLIDING PANEL.
- MAY BE USED FOR WINDOW BLACK-OUT PANELS, IF DISTANCE BETWEEN WINDOWS AVAILABLE, BY ADDITION OF LIGHT SEALS.

SPECIFICATION:

All double horizontal sliding units shown on drawings shall be U 20D as manufactured by Panel Products, Richmond, B.C. in sizes indicated. All framing shall be 6063T5 aluminum with exposed surfaces CE/AN .00025 satin anodized finish. Sliding panels shall be (specify chalk or tackboard panel designed for horizontal sliders). Sliding panels shall be top hung from self-lubricating adjustable nylon rollers and bottom guided by noiseless nylon guides. Light seals shall be provided for window black-outs.



Alternate Design
where ever there
are Wood Headers or
Sills